



Fitting Instructions

TOWBAR **BM32AQ**
For BMW Mini Hatch (R56)
2007-

***** PLEASE ENSURE THAT THIS INSTRUCTION IS PASSED ONTO THE END USER AS THE NECK MUST BE REMOVED WHEN NOT IN USE TO PREVENT OBSCURATION OF THE REAR FOG LIGHT. *****

MATERIALS

A	1	Cross Bar with European facing to 94/20/EC Class A50-1
E	2	Captive Nut Straps
F	8	M8 x 20mm Washers
G	4	M10 x 30 Bolts, Lock Washers and Ø30 Flat Washers
H	1	M8 x 25 Bolt, Neoprene Washer and Nyloc Nut
ZE	1	Electrical Plate Angle (ZEQ4)
ZP	1	Electrical Plate (ZEP4)
L	1	Remove when not in use label

For use with either

BM32 Flange neck option – ZF3004. *Note: This towbar must be used with either a Witter Towball (part number Z11 or Class A50-1 or A50-X towball dimensionally conforming to A50-1 with a 'D' and 'S' value greater than or equal to that of the towbar.*

BM32Q Detachable neck option – ZQ3004. Please refer to ZQ fitting instructions for installation.

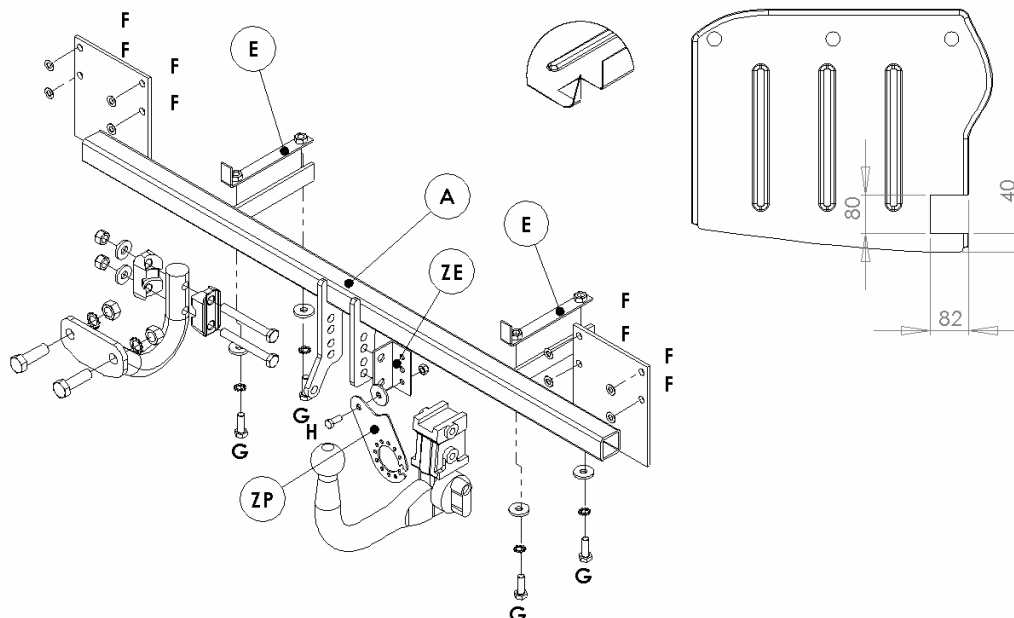
FITTING

1. Remove bumper (2 wheel arch liner clips, 1 upper screw and 1 screw behind upper arch trim) each side and lower edge screws. Disconnect fog light plug, unclip and pull bumper rearwards.
2. Remove Crash Beam and retain existing fixings. Slide captive nut straps (**E**) into open chassis rails.
3. Loosely attach Towbar Crosstube (**A**) and refit crash beam using existing fixings and washers (**F**). Insert fixings (**G**) through existing holes in chassis and align with arms and captive nut straps (**E**).
4. Attach Neck option, Angle Bracket (**ZE**) and cut undertray as detailed below and tighten Bolts to torque.
5. Fix Electrical Plate (**ZP**) using fixings (**H**) and tighten until plate will stay in position unsupported, allowing the electrical socket to be retracted when not in use.
6. The refitment of the bumper is the reversal of removal. Fix Label (**L**) either to neck, or to underside of bumper.

Please refer to the vehicle specification for the trailer weight and nose limits, which **must be observed**.

Recommended torque settings, 8.8 Grade: M8 - 27Nm, M10 – 53Nm, M12 - 95 Nm, M16 – 214Nm

UNDERTRAY CUT DETAILS



W0001BM32AQ-FIT\$010807230000