



Fitting Instructions

TOWBAR For
Citroen Berlingo/Peugeot Partner PG48
L2 version only 4628mm
JULY 2008 -

MATERIALS

A	1	Cross Bar with European facing to 94/20/EC A50-1.
B	1	10 mm Coupling Packer (For use on bottom set of holes)
C	1	Right Side arm
D	1	Left Side arm
E	2	M12 x 45 x 1.75 mm Bolts, 2 Lock washers, and 2 Flat washers (30 mm O.D.)
F	4	M10 x 1.5 Nuts, Lock washers and 4 Flat Washers (25 mm)
G	4	M12 x 40 x 1.75 mm Bolts, Nyloc Nuts and 4 Flat Washers (25 mm O.D.)
H	2	2 Angle cleats.
J	4	M12 x 40 x 1.75 mm Bolts, Nyloc Nuts and 4 Flat Washers (25 mm O.D.)
K	1	ZEP 35 Electrical Plate
CB	2	M16 x 50 x 2.0 mm Coupling Bolts, Nuts and Lock Washers

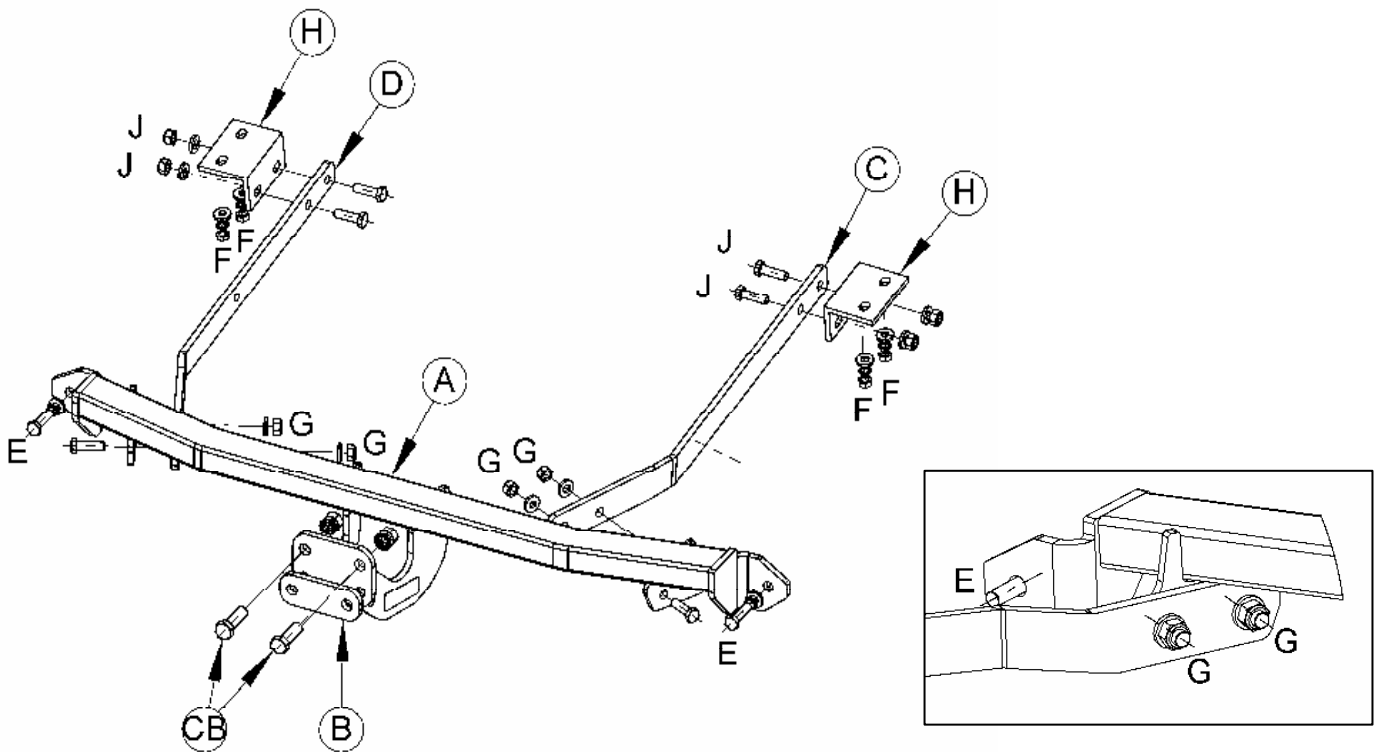
FITTING

1. Unscrew lower edge of bumper and remove 2 plugs connecting inner arch lining to bumper.
2. Lower rear exhaust box by removing back bush and two forward bolts for front hanger (optional)
3. Remove the lowest bolt on the crash beam to the rear panel each side. This will form the rearmost mounting point.
4. Slide in the main cross bar (A) over rear exhaust outlet and align part (A) to the rearmost mounting point. Use fasteners (E) and tighten fully to rear panel pushing upwards to gain highest level.
5. Once supported unbolt chassis cleats on each side and discard. Clean any excess wax oil away. Fit Angle cleats (H) to each chassis rail attach using fasteners (F) for support.
6. Starting with the right Side arm (C) slide in over the exhaust hanger and attach to Angle cleat (H) using fasteners (J). Continue to attach side arm (C) to main crossbar using fasteners (G) as per diagram
7. Carry out same process with Side arm (D).
8. Continue tightening all bolts to their recommended torque and refit lower edge screws and fixings

Note: This towbar must be used with either a Witter Towball (part number Z11) or Class A50-1 or A50-X towball dimensionally Conforming to A50-1 with a 'D' and 'S' value greater than or equal to that of the towbar.

Please refer to the vehicle specification for the trailer weight and nose limits, which **must be observed**.

Recommended torque settings:, M10 - 53 Nm, M12 - 95 Nm , M16 - 214 Nm



W0001PG48-FIT\$010811070000