



# Fitting Instructions

TOWBAR RN92Q  
For RENAULT LAGUNA GRAND TOURER  
2008-

## MATERIALS

A	1	Crossbar with European facing to 94/20/EC – A50-1
B	4	Chassis Rail Bush (19 mm OD & 63 mm Long)
D	2	Side arms
E	4	M10 x 100 mm Bolts x 1.5 mm Pitch, Flat Washers (40 mm OD) and Nyloc Nuts.
F	4	M10 x 40 mm Bolts x 1.5 mm Pitch, Flat Washers QTY 4 (25mm OD) and Nyloc Nuts
G	1	M10x25x1.50mm Bolt, Lock Washer, Flat Washer (21mm O.D.) and Nut
H	4	M12 Bolt caps
ZEP1	1	Electrical Plate (ZEP1)
ZEQ2	1	Bracket (ZEQ2)
ZQ	1	Detachable Neck (ZQ2031)

## FITTING

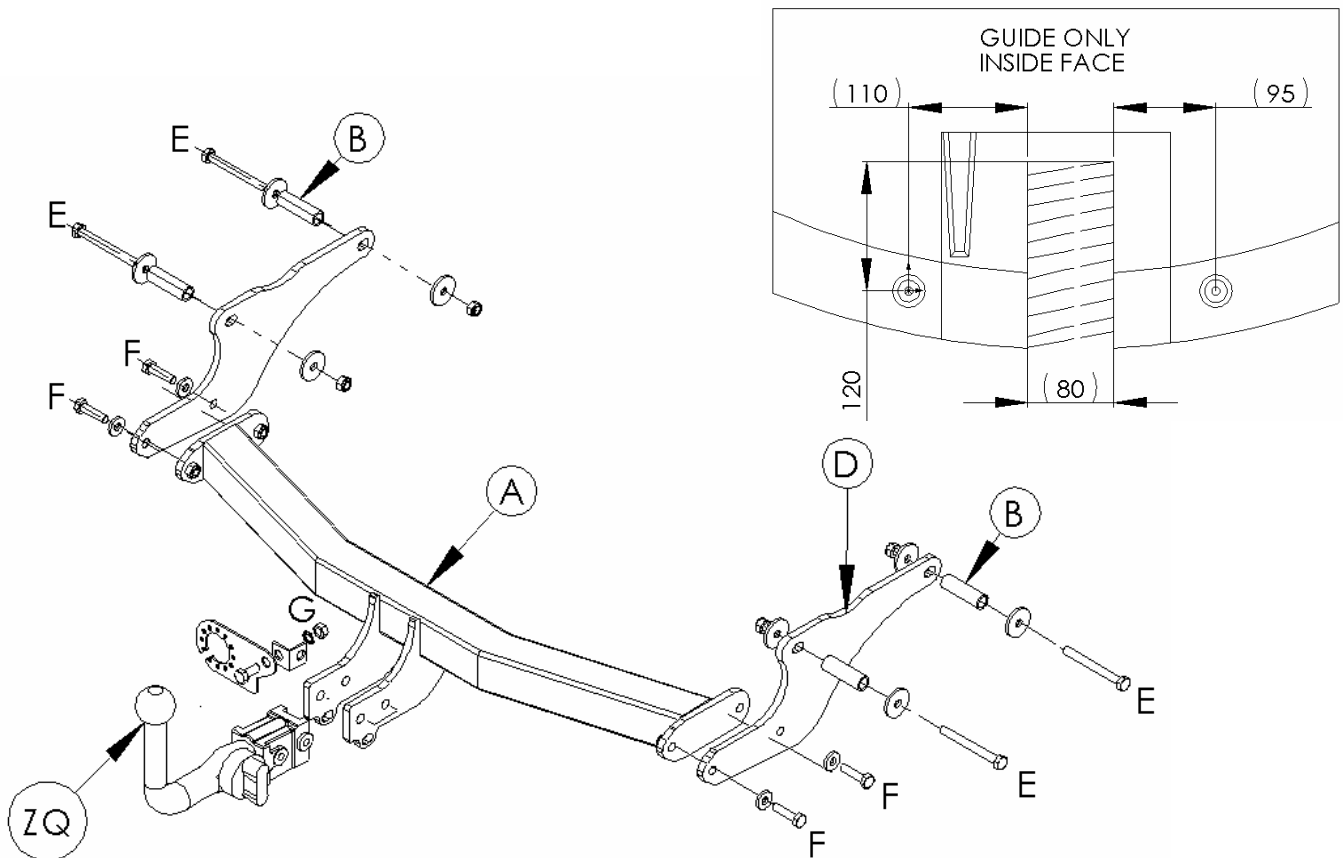
### No need to remove bumper

1. Remove Plastic under tray, by removing 4 clips and 4 screws attached to the bumper skirt.
2. Remove the plastic bungs protecting the chassis rails, 4 each side. On the left side, insert Bolt (E) with 40mm washer into Bush (B) and locate into chassis rail. Carry out same process on the remaining 3 holes.
3. Attach side arm (D) to chassis rail, and loosely secure with bolts (E) on both sides with washers and nyloc nuts
4. Attach Cross Bar (A), using Bolts (F) with Flat washers (25 mm) on the outside of parts (D) and tighten bolts.
5. On under tray cut using diagram as a guide, and refit using existing fixings. Trim any unnecessary plastic lugs on inside as required.
6. Attach ZQ (Detachable Swan Neck (ZQ2031)) and Electrical Plate. When tightening the neck, ensure it is positioned in its upper and rearmost position to ensure maximum clearance and height.
7. **Tighten all Bolts.**

Please refer to the vehicle specification for the trailer weight and nose limits, which **must be observed**.

**Recommended torque settings:** M8 - 27Nm, M10 - 53 Nm, M12 - 95 Nm, M14 - 150 Nm, M16 - 214 Nm

**Grade 10.9:** M12 – 139Nm, M10 – 78Nm



W0001RN92Q\$010802050000