



Fitting Instructions

TOWBAR
For Renault Megane III
2008-
**RN97U
for
RN97 &
RN97Q**

MATERIALS

| | | |
|----|---|---|
| A | 1 | Towbar Mainframe |
| C | 1 | R/H Sidearm |
| D | 1 | L/H Sidearm |
| E | 2 | M12x35 Bolts, Nuts, Lock Washers and Flat Washers (Ø25) |
| F | 2 | M12x40 Bolts, Lock Washers and Flat Washers (Ø40) |
| G | 2 | M10x35 Bolts, Lock Washers and Flat Washers (Ø25) |
| H | 1 | M8x25 Bolt, Nyloc Nut and Neoprene Washer |
| ZP | 1 | Electrical Plate (ZEP5) |
| ZQ | 1 | Electrical Plate Angle (ZEQ5) |

For use with either

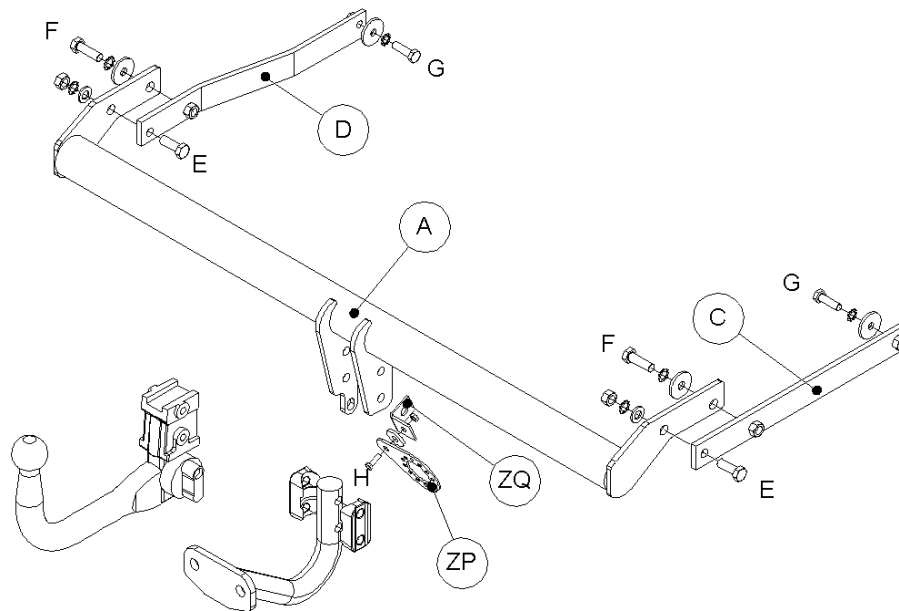
RN97 Flange neck option – ZF3008. **Note:** This towbar must be used with either a Witter Towball (part number Z11) or Class A50-1 or A50-X towball dimensionally Conforming to A50-1 with a 'D' and 'S' value greater than or equal to that of the towbar.

RN97Q Detachable neck option – ZQ3008. Please refer to ZQ fitting instructions for installation

FITTING

1. Remove and disconnect rear light clusters (2 hand screws behind each light cluster inside boot).
2. Remove bumper (1 plastic stud under each light cluster, 2 Torx in each wheel arch and 1 tip screw – the arch liner may need to be loosened to gain access, 3 Torx screws along underside of bumper), gently pull bumper tips outwards before gently pulling bumper rearward whilst disconnecting wiring loom at plugs.
3. Remove boot floor, spare wheel padding and crashbeam (3 bolts each side). If necessary bend/remove the metal flap blocking access to the chassis rails and insert Sidearms (C and D) into chassis rails as shown, loosely attach using Bolts (G). **Note:** Holes in chassis rails for Bolts (F and G) are covered with tape and can be hidden behind a layer of foam.
4. Loosely attach Towbar Mainframe (A) to Sidearms (C and D) using Bolts (E and F). On the left hand side access for socket/extension bar for Bolt (F) is obtained through the air vent and by removing the blanking plug on the outer skin. **Tighten All Bolts.**
5. **Important: Seal ends of chassis rails with tape and / or replace rubber chassis rail blanking plates (after cutting relevant slots for Sidearms (C and D)) and / or sealant or expanding foam to prevent ingress of water.** Reattach bumper.
6. Attach neck option and electrical angle (ZQ) and plate (ZP) as per separate fitting instruction.

Recommended torque settings: Grade 8.8 bolts: M10 - 53 Nm, M12 - 95 Nm, M16 - 214 Nm



W0001RN97U-FIT\$010902100000